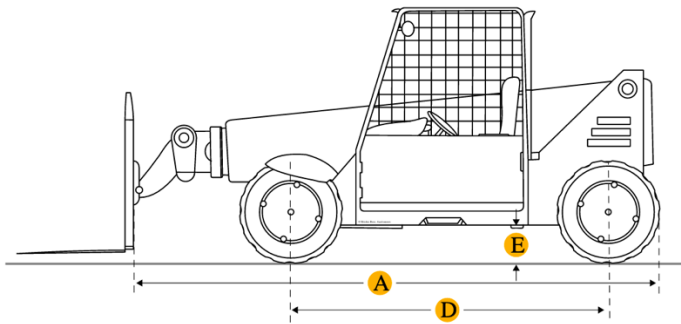
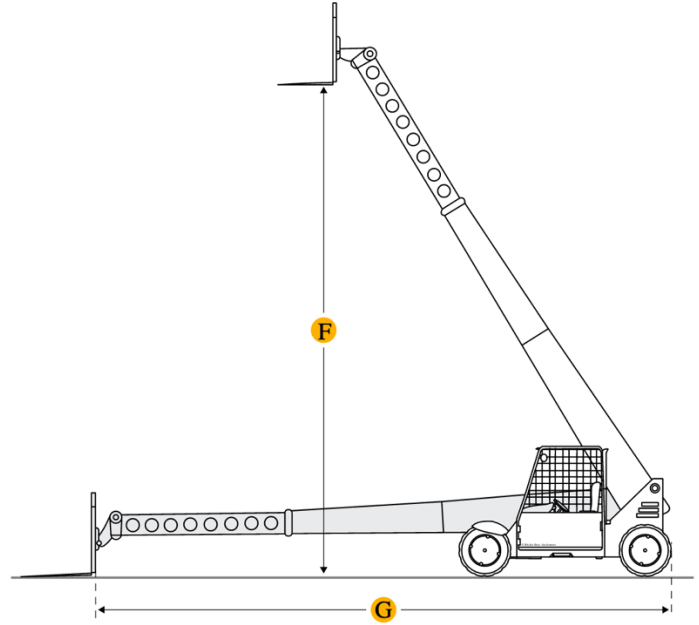
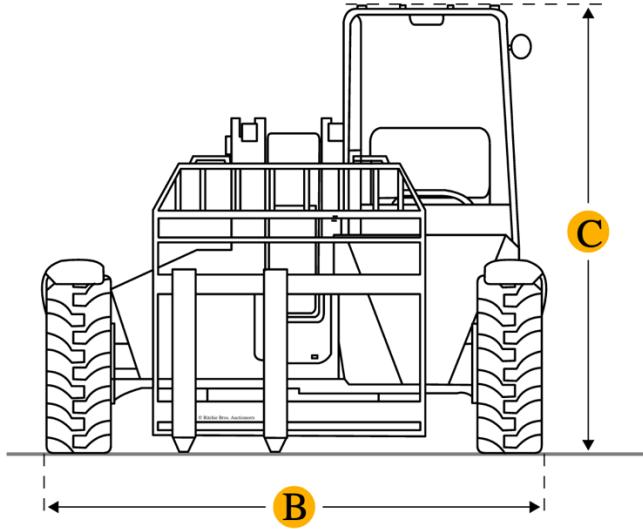


Ritchie Specs JLG G12-55A Telescopic Forklift



Dimensions

Dimensions

A Length To Fork Face	19.99 ft in
E Ground Clearance	18.98 ft in
B Width Over Tires	8.5 ft in
C Overall Height	8.4 ft in
D Wheelbase	11.98 ft in
Turning Radius Outside Tires	14.01 ft in

Lift

F Max Lift Height	55.12 ft in
G Max Forward Reach	42 ft in
Max Load At Max Reach	3500 lb
Max Load At Max Height	5000 lb
Max Lift Capacity	12000 lb

Specifications

Engine

Engine Make	2240
Engine Model	e 4045TF275
Gross Power	139.5 hp
Displacement	274.7 cu in
Aspiration	turbocharged

Operational	
Operating Weight	35100 lb
Fuel Capacity	38.1 gal
Hydraulic System Fluid Capacity	60 gal
Operating Voltage	12 V
Alternator Supplied Amperage	65 amps
Drawbar Pull	20000 lb
Tire Size	17.50x25 12PR
Transmission	
Transmission Type	ZF WG98 powershift
Number Of Forward Gears	4
Number Of Reverse Gears	3
Max Speed - Forward	19.9 mph
Hydraulic	
Pump Type	load sensing piston pump

Compare similar models

<i>Manufacturer/Model</i>	<i>Max Lift Capacity</i>	<i>Operating Weight</i>
JLG 1732 HIGH CAPACITY MODEL	16755 lb	--
JLG 1644 HIGH CAPACITY MODEL	15650 lb	--
Merlo 60.24MCSS	13227.8 lb	41667.4 lb