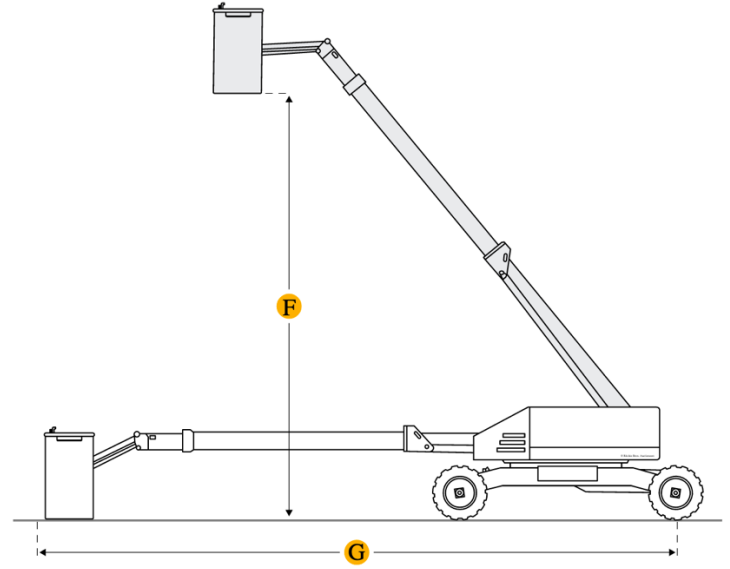
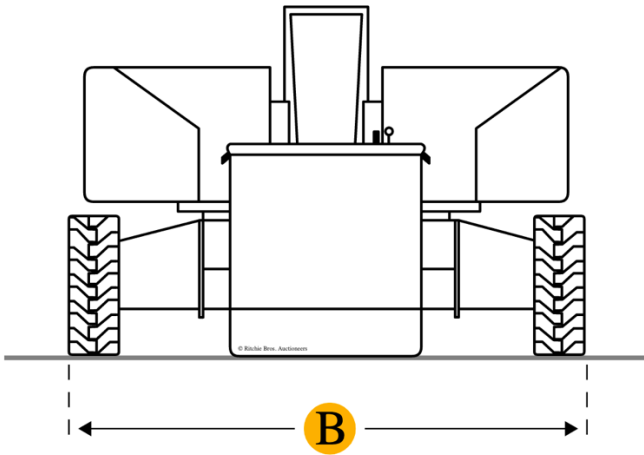
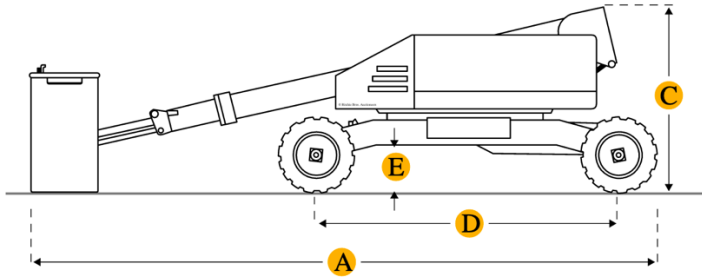


# Ritchie Specs JLG 600S 4WD Boom Lift



## Dimensions

### Dimensions

<b>A Overall Length</b>	343 in
<b>B Overall Width</b>	8.2 ft in
<b>C Overall Height - Mast Lowered</b>	8.44 ft in
<b>D Wheelbase</b>	8.08 ft in
<b>E Ground Clearance</b>	11 in
<b>Tailswing Radius</b>	4 ft in
<b>Overall Height</b>	8.2 ft in
<b>Platform Dimension A</b>	2.99 ft in
<b>Platform Dimension B</b>	8.01 ft in
<b>Turning Radius</b>	12.8 ft in

### Platform

<b>F Max Platform Height</b>	60.24 ft in
<b>G Max Horizontal Reach</b>	50.2 ft in
<b>Platform Railing Height</b>	59.68 ft in
<b>Platform Rotation</b>	160 degrees
<b>Platform Inner Width</b>	35.83 in
<b>Platform Inner Length</b>	96.07 in
<b>Max Platform Weight Capacity</b>	1000.9 lb

## Specifications

### Engine

<b>Fuel Tank</b>	31 gal
<b>Diesel Engine Type</b>	Deutz TD2.9L4 Tier 4 Final
<b>Diesel Engine Power</b>	67 hp
<b>Dual Fuel Engine Type</b>	Ford MSG425-DF
<b>Dual Fuel Engine Power</b>	84 hp
<b>Engine Make</b>	2349
<b>Engine Model</b>	F4M2011
<b>Gross Power</b>	64.4 hp
<b>Fuel Type</b>	Diesel
<b>System Voltage</b>	12 V

### Operational

<b>Operating Weight</b>	21461 lb
<b>Fuel Capacity</b>	39.9 gal
<b>Hydraulic System Fluid Capacity</b>	34 gal
<b>Max Speed</b>	4.3 mph
<b>Tire Size</b>	41/181.1 X 22.5
<b>Tire Fill/Type</b>	Lug Tread

### Performance

<b>Axle Oscillation</b>	0.7 ft in
<b>Drive Speed</b>	3.8 mph
<b>Swing</b>	360 degrees
<b>Gradeability</b>	45 %

## Compare similar models

*Manufacturer/Model*

[JLG 460SJC](#)

[JLG 600AJN Narrow](#)

[JLG 600AN Narrow](#)

*Operating Weight*

17998 lb

24200 lb

24100 lb