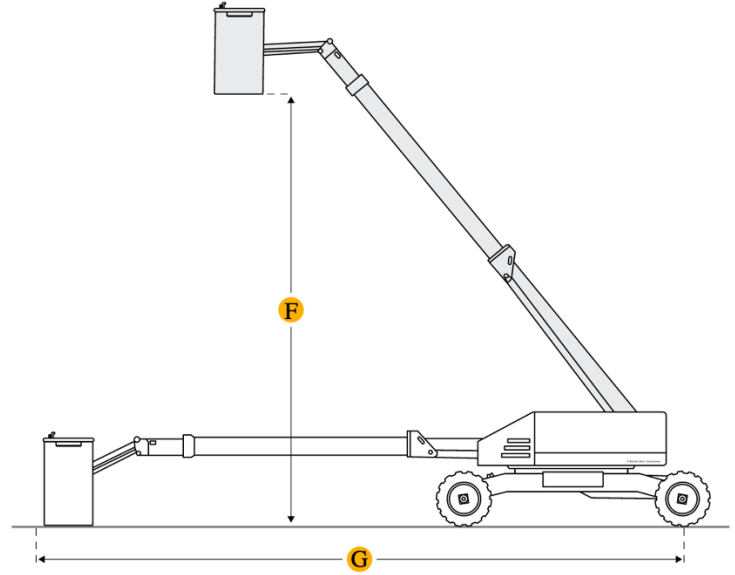
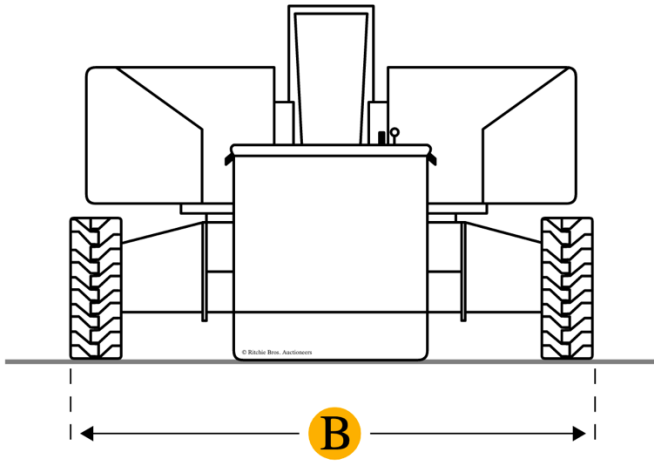
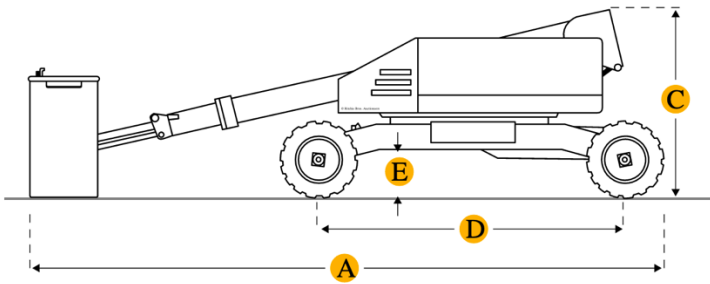


Ritchie Specs JLG 600A 4WD Boom Lift



Dimensions

Dimensions

A Overall Length	26.42 in
B Overall Width	8.01 ft in
C Overall Height - Mast Lowered	8.34 ft in
D Wheelbase	8.01 ft in
E Ground Clearance	7.88 in
Platform Dimension B	8 ft in
Turning Radius	9.6 ft in
Up And Over Height	26.7 ft in
Platform Dimension A	3 ft in

Platform

F Max Platform Height	60.44 ft in
G Max Horizontal Reach	39.6 ft in
Platform Inner Width	35.83 in
Platform Inner Length	96.07 in
Max Platform Weight Capacity	992.09 lb
Platform Rotation	180 degrees

Specifications

Engine

Diesel Engine Type	DEUTZ TD 2.9L Tier 4 Final
Diesel Engine Power	67 hp
Dual Fuel Engine Type	Ford MSG425
Dual Fuel Engine Power	84 hp
Maximum Ground Bearing Pressure	77 psi
Engine Make	2349
Engine Model	D2011L04
Gross Power	49 hp
Fuel Type	Diesel
System Voltage	12 V

Operational

Operating Weight	22149.9 lb
Fuel Capacity	30.1 gal
Hydraulic System Fluid Capacity	30.6 gal
Max Speed	4.3 mph
Tire Size	14x17.5
Tire Fill/Type	Lug Tread

Performance

Axle Oscillation	0.8 ft in
Drive Speed	4.3 mph
Swing	360 degrees
Swing Type	Continuous
Gradeability	45 %

Compare similar models

Manufacturer/Model

[JLG 460SJC](#)

[JLG 600AJN Narrow](#)

[JLG 600SC](#)

Operating Weight

17998 lb

24200 lb

25942 lb