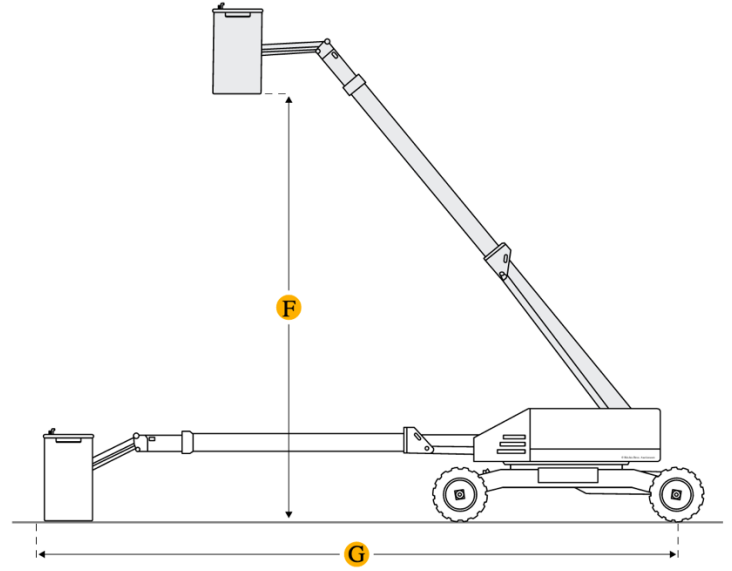
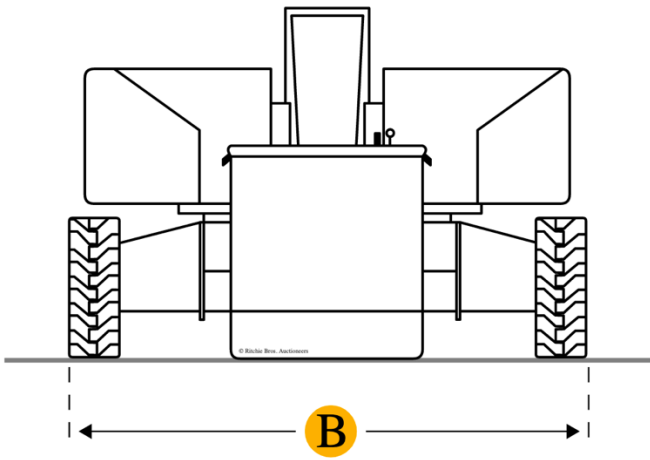
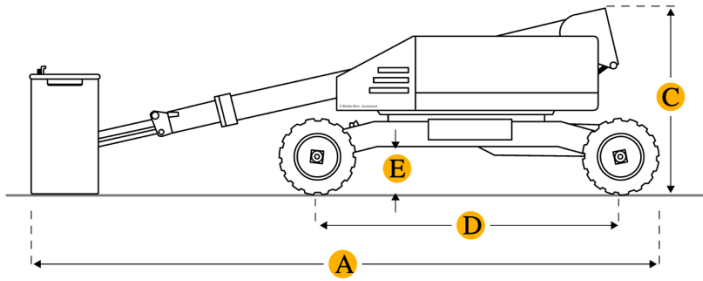


Ritchie Specs JLG 400S Boom Lift



Dimensions

Dimensions

A Overall Length	24.74 in
B Overall Width	7.55 ft in
C Overall Height - Mast Lowered	7.85 ft in
D Wheelbase	7.68 ft in
E Ground Clearance	12.6 in
Platform Dimension A	3 ft in
Platform Dimension B	8 ft in
Turning Radius	16.41 ft in

Platform

F Max Platform Height	40.36 ft in
G Max Horizontal Reach	34.13 ft in
Platform Inner Length	96.07 in
Max Platform Weight Capacity	992.09 lb
Platform Inner Width	35.83 in
Platform Rotation	180 degrees

Specifications

Engine

Diesel Engine Type	Deutz D2.9L4 Tier 4 Final
Diesel Engine Power	49 hp
Dual Fuel Engine Type	GM Vortec 3000 MPFI
Maximum Ground Bearing Pressure	60 psi
Dual Fuel Engine Power	82 hp
Engine Make	2349
Engine Model	F3M1011
Gross Power	48.1 hp
Displacement	177 cu in
Fuel Type	Diesel
System Voltage	12 V

Operational	
Operating Weight	12524.5 lb
Fuel Capacity	26.1 gal
Hydraulic System Fluid Capacity	42.1 gal
Max Speed	4.5 mph
Tire Size	12 x 16.5
Tire Fill/Type	Pneumatic Lug Tread Tires
Performance	
Drive Speed	4.5 mph
Swing	360 degrees
Swing Type	Continuous
Gradeability	45 %

Compare similar models

<i>Manufacturer/Model</i>	<i>Max Platform Weight Capacity</i>	<i>Operating Weight</i>
<u>JLG 450AJ</u>	--	12650 lb
<u>JLG 400SC</u>	--	14559 lb
<u>JLG 40H 4WD</u>	1000.9 lb	12010.8 lb