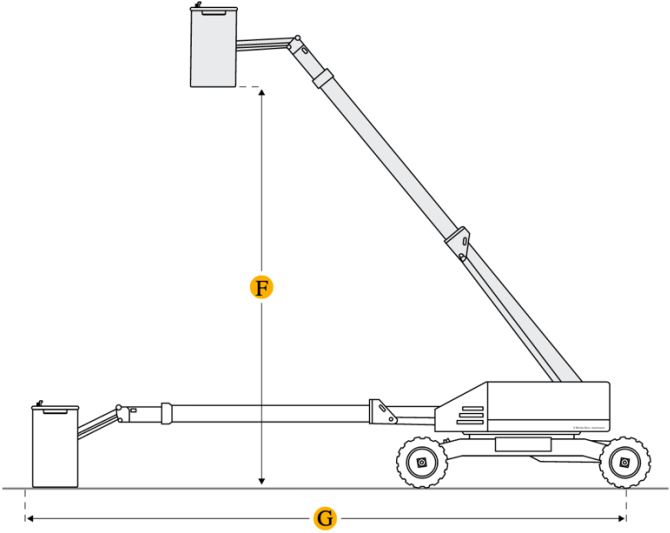
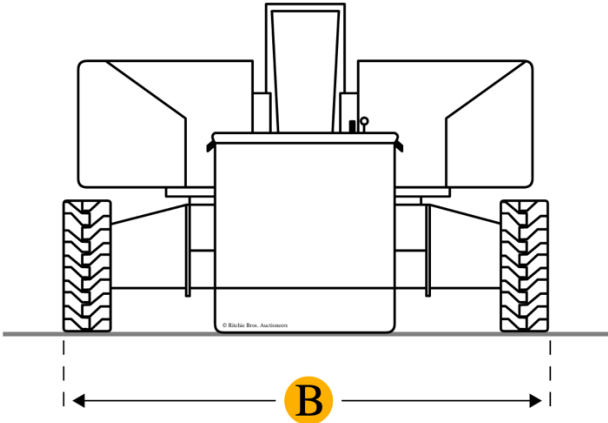
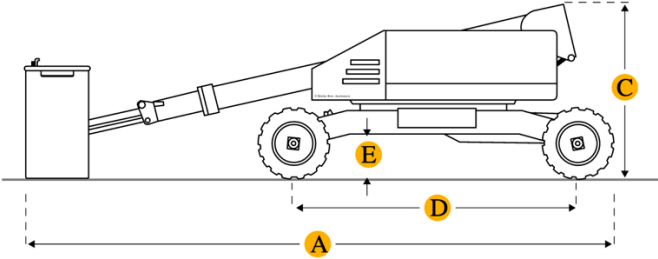


# Ritchie Specs Genie S45 Boom Lift



## Dimensions

### Dimensions

<b>A Overall Length</b>	333.86 in
<b>B Overall Width</b>	7.55 ft in
<b>C Overall Height - Mast Lowered</b>	8.17 ft in
<b>D Wheelbase</b>	7.22 ft in
<b>E Ground Clearance</b>	12.6 in
<b>Turning Radius</b>	15.69 ft in
<b>Weight</b>	15269.22 lb

### Platform

<b>F Max Platform Height</b>	45.02 ft in
<b>G Max Horizontal Reach</b>	36.49 ft in
<b>Platform Inner Width</b>	96.07 in
<b>Max Platform Weight Capacity</b>	500.45 lb
<b>Platform Inner Length</b>	35.83 in
<b>Max Working Height</b>	51.58 ft in
<b>Platform Rotation</b>	160 degrees

## Specifications

### Engine

<b>Power</b>	49 hp (36.54 kW) Deutz diesel T4f D2.9L4
<b>Engine Make</b>	2380
<b>Engine Model</b>	DSG 423
<b>Gross Power</b>	75 hp
<b>Fuel Type</b>	Gas/LPG

### Capacities

<b>Auxiliary Power Unit</b>	12 V DC
<b>Lift Capacities</b>	500.5 lb

### Operational

<b>Turning Radius - Axle Inside</b>	6.6 ft in
<b>Controls</b>	12 V DC proportional
<b>Turning Radius - Axle Outside</b>	15.7 ft in
<b>Drive Speed - Stowed</b>	4.8 mph
<b>Drive Speed - Raised</b>	0.7 mph
<b>Below Ground Reach</b>	5 ft in
<b>Operating Weight</b>	14790.9 lb
<b>Fuel Capacity</b>	20.1 gal
<b>Hydraulic System Fluid Capacity</b>	45 gal
<b>Max Speed</b>	4.8 mph
<b>Tire Size</b>	12-16.5 NHS

## Compare similar models

*Manufacturer/Model*

[JLG 450A 4WD](#)

[JLG 400SC](#)

[JLG E600J](#)

*Max Platform Weight Capacity*

500.5 lb

--

500.5 lb

*Operating Weight*

14499.9 lb

14559 lb

15200 lb

