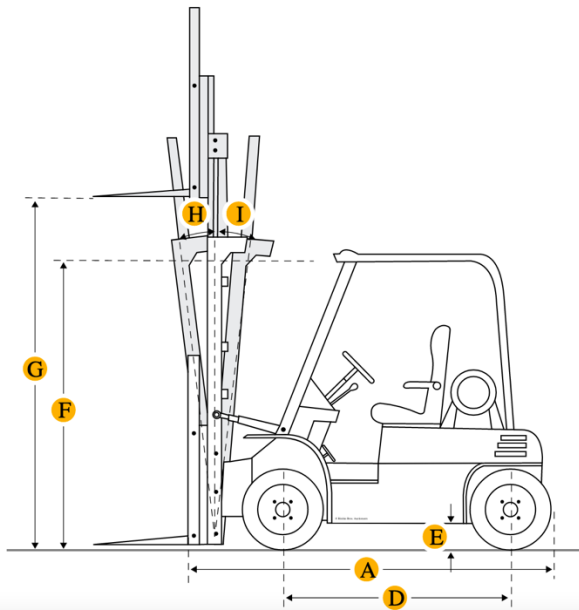
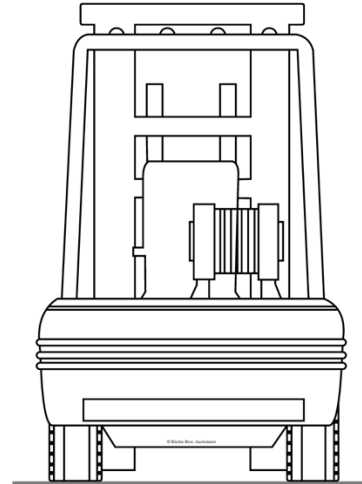
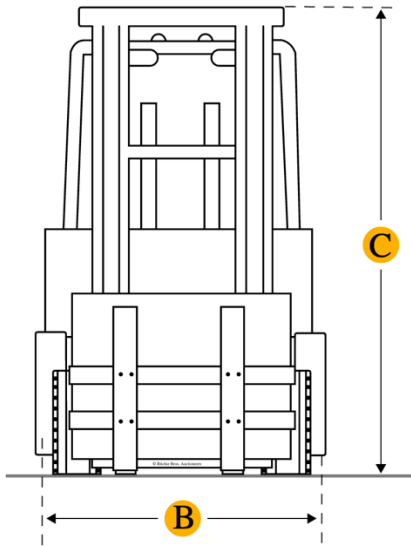


Ritchie Specs Clark Michigan C25L Forklift



Dimensions

Dimensions

A	Length To Fork Face	8.4 ft in
B	Overall Width	4.02 ft in
C	Overall Height - Mast Lowered	7.11 ft in
D	Wheelbase	5.32 ft in
E	Ground Clearance	5.3 in
F	Height To Top Of Overhead Guard	7.11 ft in
G	Max Fork Height	15.75 ft in
	Right Angle Stack	9.04 ft in
	Turning Radius	7.55 ft in

Mast

H	Mast Tip Forward	6 degrees
I	Mast Tip Rear	5 degrees
	Number Of Mast Sections	3
	Lower Speed	89 ft/min
	Max Fork Spread	39 in
	Load Center	24 in
	Load Capacity	5000 lb
	Lift Speed	104 ft/min

Specifications

Engine	
Number Of Cylinders	4
Engine Make	2251
Engine Model	4G64
Power	47.5 hp
Torque	120 lb ft
Power Measured @	2250 rpm
Displacement	143 cu in
Torque Measured @	1400 rpm
Fuel Type	LPG
Operational	
Operating Weight	8838 lb
Tire Type	Pneumatic
Number Of Front Wheels	2
Number Of Rear Wheels	2
Max Speed	12.4 mph

Compare similar models

Manufacturer/Model
[Wacker Neuson TH522](#)
[Manitou BT 425](#)
[JCB 520-40](#)

Operating Weight
9259.5 lb
9777.6 lb
9700 lb