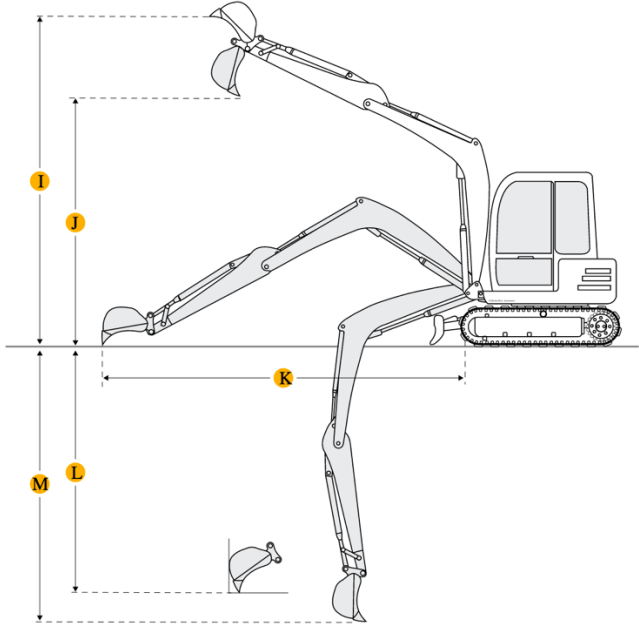
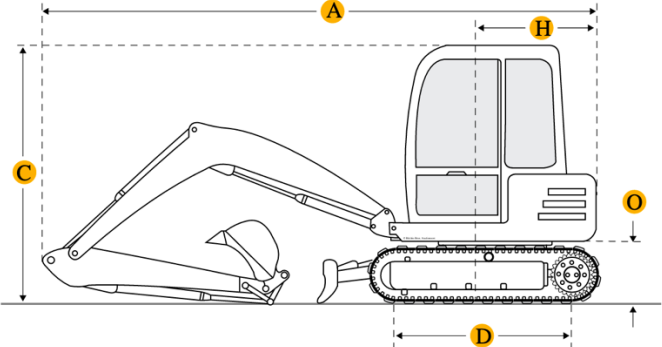
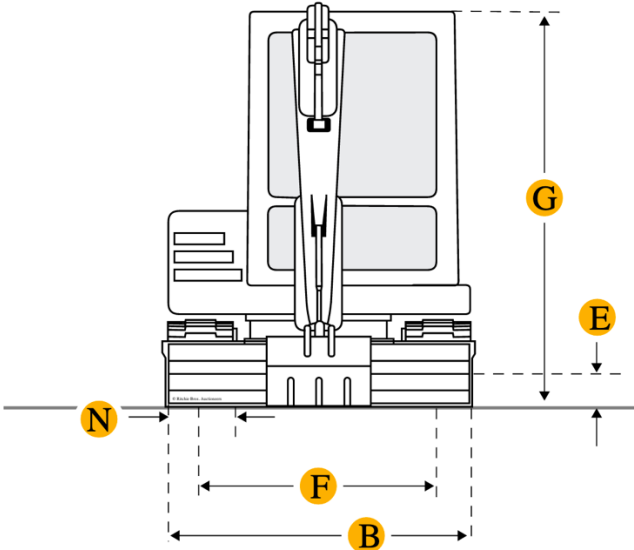


# John Deere 85G Midi Excavator



## Dimensions

### Dimensions

<b>E</b> Ground Clearance	1.19 ft in
<b>H</b> Tail Swing Radius	4.24 ft in
<b>F</b> Track Gauge	6.14 ft in
Digging Reach - Mono Boom	22.71 ft in
Dozer Blade Height	18.9 in
Dozer Blade Width	91.34 in
Dump Height - Mono Boom	18.08 ft in
Ground Level Reach - Mono Boom	22.18 ft in
Overall Width	7.62 ft in
Standard Dipper	6.96 ft in
Track Length On Ground	7.52 ft in
Transport Height - Maximum	8.83 ft in
Transport Length Mono Boom	20.9 ft in
Undercarriage Overall Length	9.59 ft in
Dig Depth - 2.44m 8 Ft Flat Bottom	14.18 ft in
Width Over Standard Tracks	7.62 ft in
Dig Depth - Mono Boom	15.13 ft in
Dig Height - Mono Boom	24.97 ft in

## Specifications

### Driveline

<b>Displacement</b>	201.4 cu in
<b>Engine Manufacturer</b>	Yanmar
<b>Emission Rating</b>	Tier 4
<b>Rated Speed</b>	2000 rpm
<b>Engine Output - Net</b>	56.9 hp
<b>Track Shoe Width</b>	17.8 in
<b>Number Of Cylinders</b>	4
<b>Number Of Carrier Rollers - Each Side</b>	1
<b>Number Of Track Rollers - Each Side</b>	5

### Capacities

<b>Fuel Tank - Diesel</b>	35.7 gal
<b>Hydraulic Tank</b>	14.8 gal
<b>System Voltage</b>	24 V
<b>Number Of Batteries</b>	2

### Performance

<b>Tractive Force</b>	14657.6 lb
<b>Slew Speed</b>	10.5 rpm
<b>Ground Bearing Pressure</b>	5.6 psi
<b>Slew Torque</b>	12.3 lb ft
<b>Breakout - Bucket</b>	10476.1 lb
<b>Bucket Pressure</b>	260
<b>Dipper Tearout</b>	6901.7 lb
<b>Gradeability</b>	70 %
<b>Main Pumps - Maximum Flow</b>	38.1 gal/min
<b>Travel Speed - High</b>	3.2 mph

### Weights

<b>Operating Weight</b>	17952.3 lb
-------------------------	------------