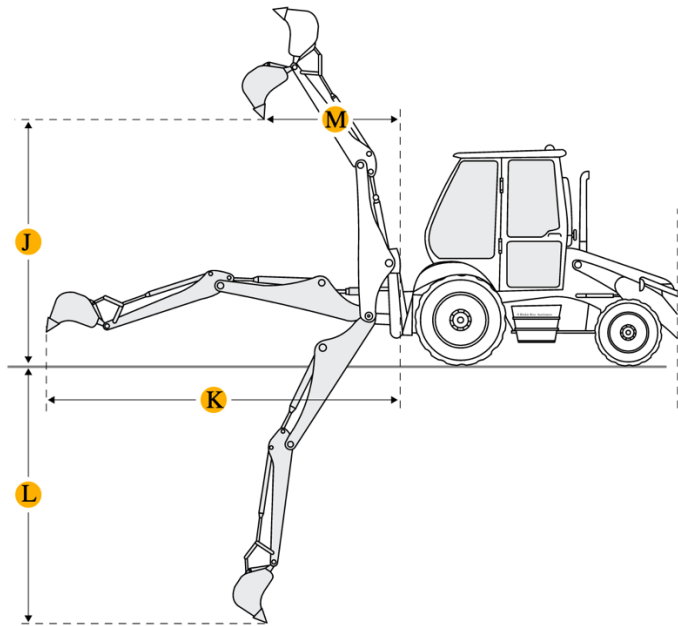
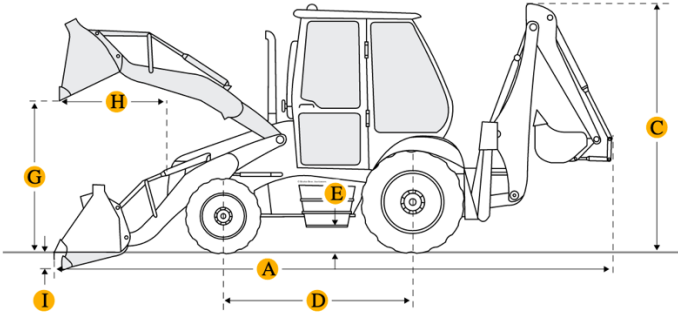
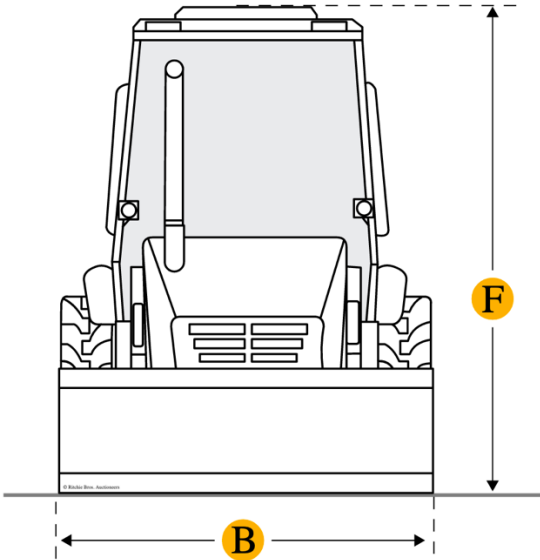


John Deere 310SJ Loader Backhoe



Dimensions

Backhoe

J Load Height - Std	11.25 ft in
K Reach From Swivel - Std	18.25 ft in
L Dig Depth - Std	14.5 ft in
Load Height - Ext	14.08 ft in
Reach From Swivel - Ext	21.92 ft in
Dig Depth - Ext	18.43 ft in
Bucket Dig Force - Std	11990 lb

Dimensions

A Transport Length	23.5 ft in
B Transport Width	7.17 ft in
C Transport Height	11.5 ft in
D Wheelbase	6.93 ft in
E Ground Clearance	1.09 ft in
Height To Top Of Suspended Cab	9.16 ft in

Loader

G Clearance At Max Dump Height	8.83 ft in
H Reach At Max Dump Height	2.58 ft in
I Dig Depth	6.3 in
Lift Capacity At Full Height	7425.17 lb
Bucket Capacity	1.01 yd3
Bucket Width	86 in
Bucket Breakout Force	11150.53 lb

Specifications

Engine

Engine Make	2240
Engine Model	4045T
Net Power	92 hp
Power Measured @	2000 rpm
Net Torque Rise	46 %
Net Max Torque	282 lb ft
Aspiration	Turbocharged
Displacement	276 cu in

Operational

Operating Weight 2wd	14429.3 lb
Fuel Capacity	41 gal
Operating Weight 4wd	16960.2 lb
Hydraulic System Fluid Capacity	24 gal
Oil System Fluid Capacity	3.5 gal
Cooling System Fluid Capacity	5.6 gal
Transmission Fluid Capacity	4 gal
Front Axle Fluid Capacity	1.8 gal
Rear Axle Fluid Capacity	4.8 gal
Tire Size Front - 2wd / 4wd	11L-16 12PR/12.5/80-18 10PR
Rear Tires Size 2wd/4wd	19.5L-24 10PR
Operating Voltage	12 V
Alternator Supplied Amperage	90 amps

Transmission

Transmission Type	Powershift
Number Of Forward Gears	4
Number Of Reverse Gears	3
Max Speed - Forward	23.2 mph
Max Speed Reverse	13.4 mph

Hydraulic

Pump Type	tandem gear
Pump Flow Capacity	36 gal/min
Relief Valve Pressure	3625 psi

Compare similar models

<i>Manufacturer/Model</i>	<i>Dig Depth – Std</i>	<i>Net Power</i>
New Holland B110C	--	108 hp
Caterpillar 420F	14.4 ft in	92.6 hp
John Deere 310K	--	87 hp