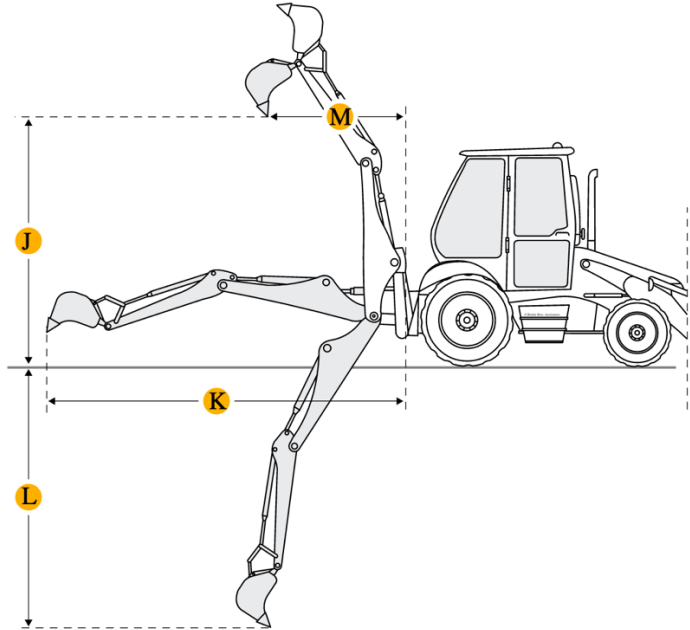
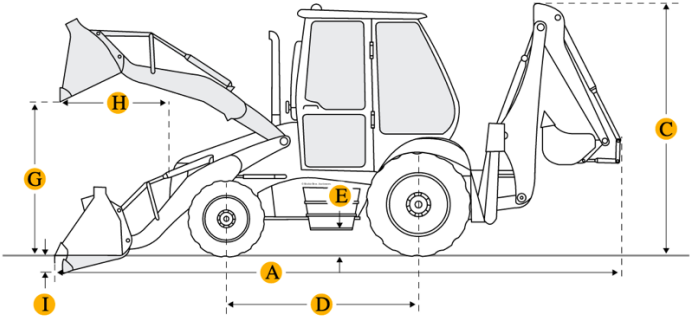
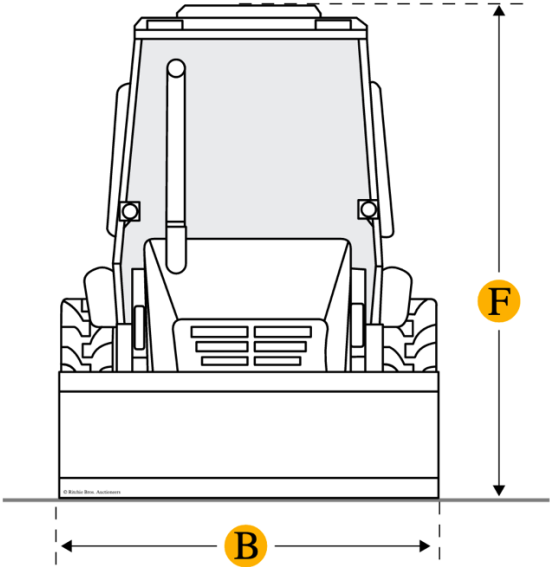


# John Deere 310J Loader Backhoe



## Dimensions

### Backhoe

<b>J</b> Load Height - Std	10.92 ft in
<b>K</b> Reach From Swivel - Std	17.83 ft in
<b>L</b> Dig Depth - Std	14.25 ft in
Load At Max Lift - Ext	2227 lb
Reach From Swivel - Ext	21.42 ft in
Load Height - Ext	13.92 ft in
Load At Max Lift - Std	2545 lb
Dig Depth - Ext	17.93 ft in

### Dimensions

<b>A</b> Transport Length	23.25 ft in
<b>B</b> Transport Width	7.16 ft in
<b>C</b> Transport Height	11.26 ft in
<b>D</b> Wheelbase	6.93 ft in
<b>E</b> Ground Clearance	1.01 ft in
Height To Top Of Suspended Cab	9 ft in

### Loader

<b>G</b> Clearance At Max Dump Height	8.83 ft in
<b>H</b> Reach At Max Dump Height	2.58 ft in
<b>I</b> Dig Depth	6.3 in
Bucket Breakout Force	8497.78 lb
Bucket Width	86 in
Bucket Capacity	1.01 yd <sup>3</sup>
Lift Capacity At Full Height	6206.02 lb

## Specifications

Engine	
Number Of Cylinders	4
Engine Make	2240
Engine Model	4045D
Net Power	72 hp
Power Measured @	2000 rpm
Net Torque Rise	36 %
Net Max Torque	209 lb ft
Aspiration	Natural
Displacement	276 cu in
Operational	
Operating Weight 2wd	13800 lb
Fuel Capacity	41 gal
Operating Weight 4wd	16140 lb
Max Weight	1750 lb
Hydraulic System Fluid Capacity	24.1 gal
Oil System Fluid Capacity	3.5 gal
Cooling System Fluid Capacity	5.6 gal
Transmission Fluid Capacity	4 gal
Front Axle Fluid Capacity	1.8 gal
Rear Axle Fluid Capacity	4.8 gal
Tire Size Front - 2wd / 4wd	11L-15 SL F-3(8)(12)/12-16.5 NHS SS-1(8)
Rear Tires Size 2wd/4wd	19.5L-24 R-4(10)
Operating Voltage	12 V
Alternator Supplied Amperage	90 amps
Transmission	
Transmission Type	Powershift
Number Of Forward Gears	4
Number Of Reverse Gears	4
Max Speed - Forward	22.4 mph
Max Speed Reverse	8.2 mph

Hydraulic

**Pump Type**

Gear

**Pump Flow Capacity**

28 gal/min

**Relief Valve Pressure**

3625 psi